

READ THIS FIRST

TITAN GUN VAULT

MODEL #AS-2020-02

Installation & Owners Manual

Listed and approved by California Department of Justice as firearm safety device.

WARNING

YOUR PRODUCT WARRANTY DOES NOT COVER "FORGOTTEN ACCESS CODE" OR DAMAGE CAUSED BY PRODUCT MISUSE. ANY SECURITY SYSTEM IS ONLY AS GOOD AS ITS USER. NO SYSTEM IS 100% CHILDPROOF. FOLLOW ALL INSTRUCTIONS. MAKE SURE THE SAFE IS ALWAYS CLOSED SECURELY AND LOCKED. NEVER GIVE THE COMBINATION TO A CHILD OR LEAVE IT WHERE A CHILD CAN FIND IT. NEVER GIVE THE COMBINATION TO A THIRD PERSON WHO MIGHT GIVE IT TO A CHILD. DO NOT LET A CHILD WATCH YOU ENTER THE COMBINATION. CHANGE THE COMBINATION IF COMPROMISED.

Failure to follow these instructions will void your warranty and constitute MISUSE of this product and may result in serious injury or DEATH.

PRODUCT DESCRIPTION AND FEATURES: Patented Titan Gun Vault is for storage, preservation, and transportation of handguns. This device will accommodate quick access to its content, while its construction prevents unauthorized access to your firearm and removal of the vault from its docking station. It measures 11" L x 8" W x 2 ½ H. and only weighs 10-lb.

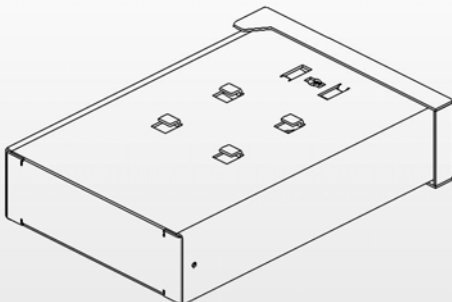
List of Items included:

- Titan Gun Vault
- Patented Lock Arm
- Universal Mount
- Universal Bed Mount
- Bed mount clamp + Allen key
- Screw Pack
- Installation and Owners Manual

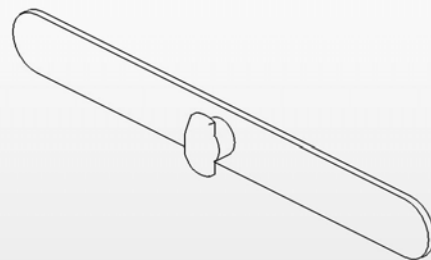
Installation Tips:

- For wall installation, always use a stud locator and secure mounting brackets over the stud at the intersection to maximize holding force; you should connect to stud with at least four mounting holes. Use screw anchors if necessary and all available mounting holes.
- For floor installation, we have provided Carriage-Bolts as well as Log-Screws. We have also provided sheet metal screws for where is applicable.
- Always ensure the universal mounts are secured to a permanent object to prevent theft.

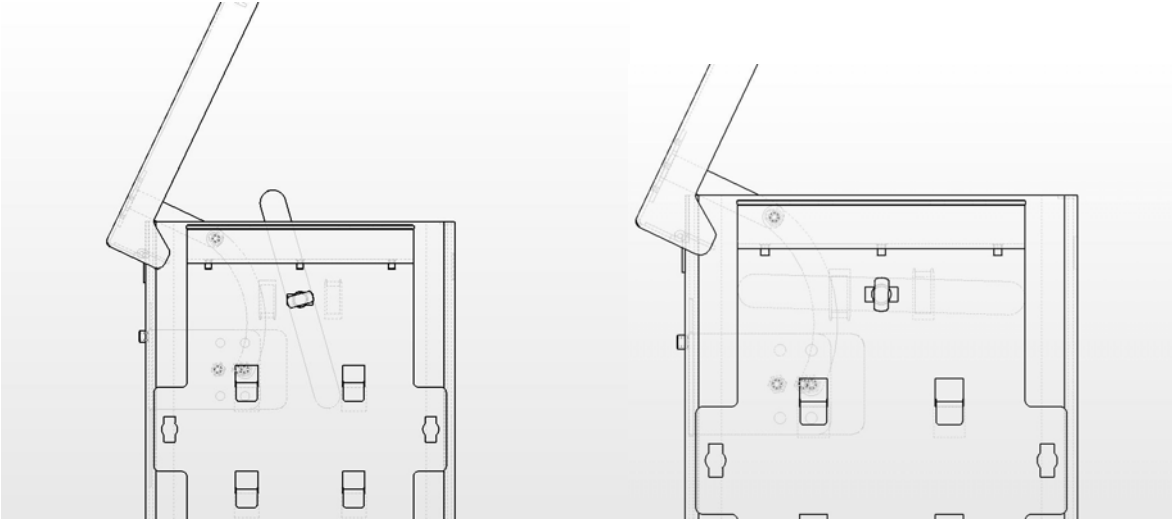
1. Titan Gun Vault:



Lock Arm:

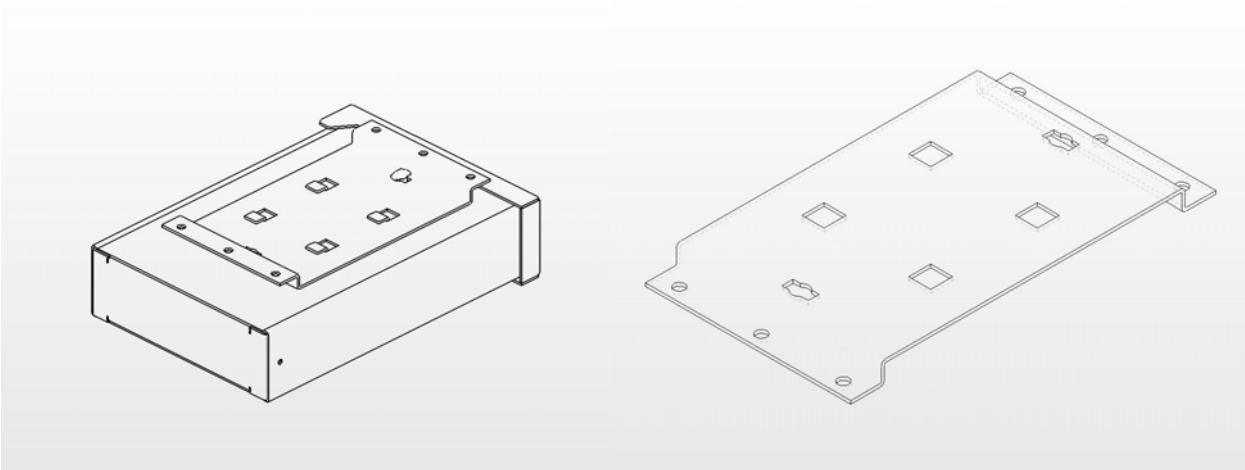


2. Lock Arm installation:



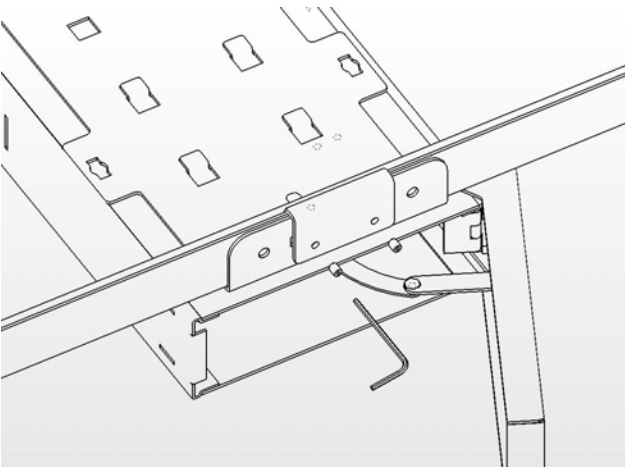
The universal Bed Mount can be installed in EIGHT different directions; chose one then:
Insert the lock arm in the slot and rotate 90°; this will mount your vault to the universal mounting brackets.
It cannot be removed while the lid is closed and locked. Always check and ensure proper installation.

3. Universal Mount: This mount is suitable for wall as well as floor mounting.

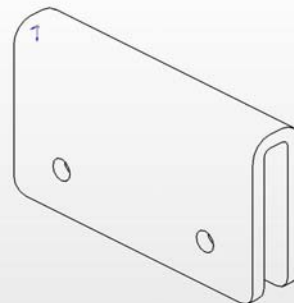


The universal Mount can be installed in TWO different directions; chose one then:
Insert the lock arm in the slot and rotate 90°; this will mount your vault to the universal mounting brackets.
It cannot be removed while the lid is closed and locked. Always check and ensure proper installation.

4. Universal Bed Mount:

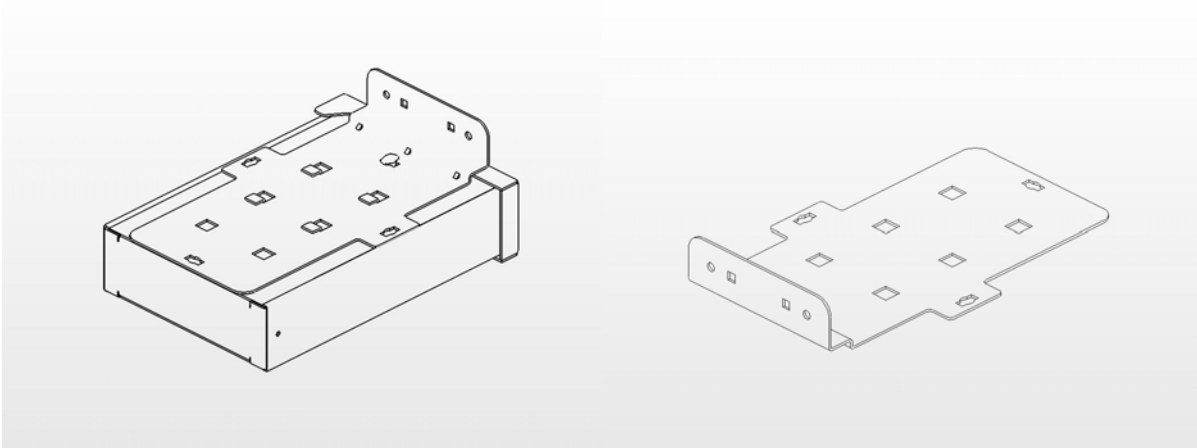


5. Bed Mount clamp:



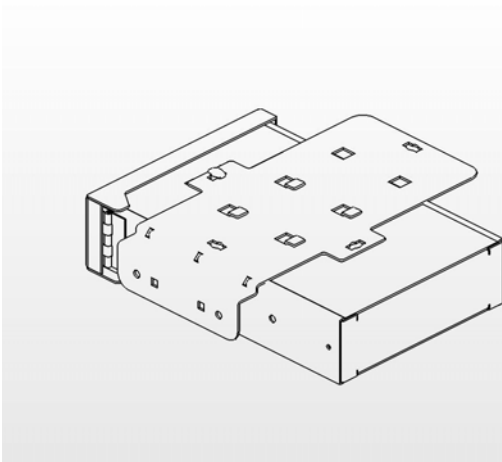
You can use the Bed Mount clamp like shown in the diagram we recommend drill mounting holes and screw Bed Mount to the frame. Moreover, you can even use steel rivets to secure the Bed Mount.

6. Bed-mount configuration:

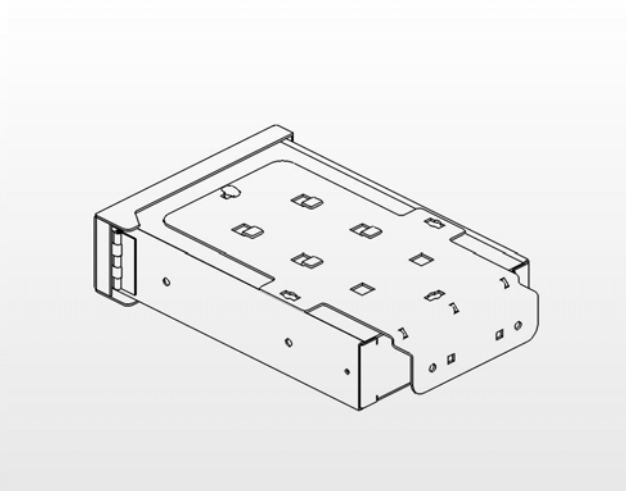


This configuration is suitable for bed frame mounting or under the dash mounting.

7. Side-mount configuration:



8. Floor mount configuration:

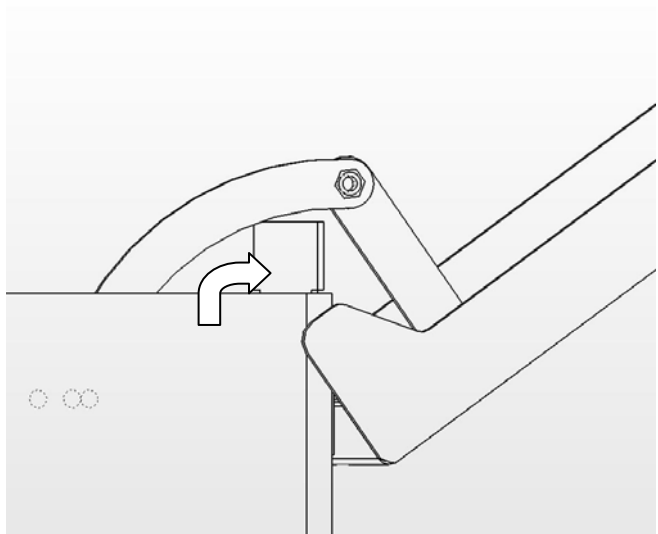


The lid has a hold open feature, when it's mounted on its side.

To close the lid **DO NOT force the lid**, just slightly lift the holster or push the plate indicated by the arrow then close the lid.

The lid of your vault will always open smoothly and flawlessly.

YOUR PRODUCT WARRANTY DOES NOT COVER DAMAGE CAUSED DUE TO FAILURE TO FOLLOW THESE INSTRUCTIONS.



9. Screw Pack:

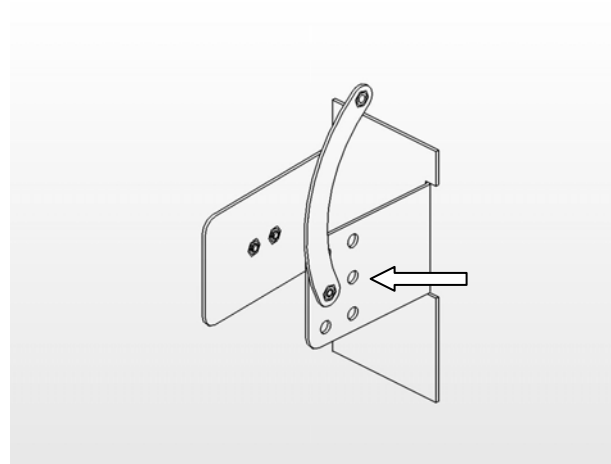
- 6 x #10 x 2" Log Pan Head Sheet Metal Screws
- 2 x 1/4" x 2" Log Screws
- 2 x 1/4 -20 x 2" Log Carriage Bolts
- 2 x 1/4 -20 Hex-Nuts

10. The Holster Rack

There are six mounting hole locations to install the crank-arm, if required each location will allow you to change the height of your gun in the vault.

WARNING: Do not over tighten the Hex-Head Screw; it may brake off.

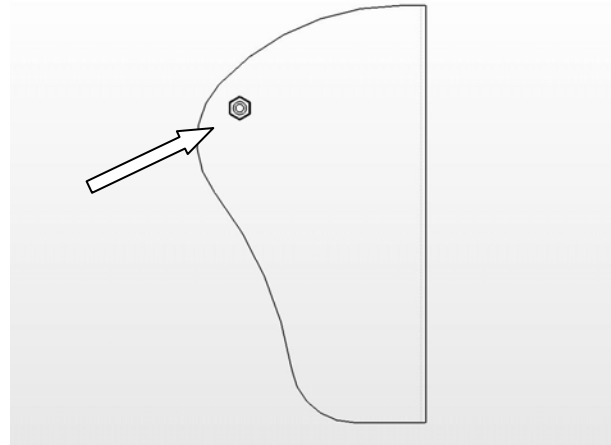
We have used a location suitable for most medium size revolvers and auto pistols.



11. The Holster Adjustments

Your vault is equipped with a universal holster; the factory assembly is for all automatic pistols. Should you wish to use it with a revolver, remove the hex-nut and screw as indicated across.

We also have a holster that accommodates a weapon with light, and are available at your request.



12. The Laptop Cable Lock

In addition to your mounting brackets you now can use off the shelf laptop Cable Lock to secure your vault to any stationary object. They are available in most stores where they sell computer accessories.



Locking Mechanism:

Simplex® Push Button Mechanical Lock (no keys, no batteries) owner may select from 2200 possible combinations.

- A fully mechanical lock - NON-electrical, no batteries required.
- 2200 possible security combinations - that can be easily changed as many times, as you wish - but only if you know the current combination.
- The turn knob is equipped with built-in clutch, to prevent forced entry.
- Combinations can be as simple as using one button to gain access to a sequence of all five buttons individually.
- Multiple buttons can be used together in a combination - this feature makes the lock "**Childproof**" - Children will push buttons, but generally not 2 or more at the same time.
- A lockout feature deters continued random entry of combinations to gain access.
- Raised buttons provide easy operation without visual contact.
- Lock can be set to determine if someone had attempted access.
- Manufactured by KABA ILCO in U.S.A. For over 30 years with proven performance in thousands of applications.

**TO CHANGE AND RECORD YOUR NEW ACCESS CODE, KEEP IT SAFE WHERE YOU CAN FIND IT.
A LOT OF PEOPLE WILL FORGET IT IN THE FIRST WEEK.**

PRACTICE YOUR NEW ACCESS CODE WITH YOUR EYE CLOSED; IT WILL HELP YOUR BRAIN REGISTER THE SEQUENCE

Read the instructions through once before attempting to change the combination.

The factory pre-set combination is **2** and **4** pressed simultaneously (and released), and then press **3** (and release). TURN KNOB CLOCKWISE TO OPEN; COUNTER CLOCKWISE TO RESET.

Remember: Every button can be pushed once; two to five buttons can be pushed at the same time. DO NOT LOCK THE SAFE UNLESS YOU CHECK YOUR NEW CODE WORKS.

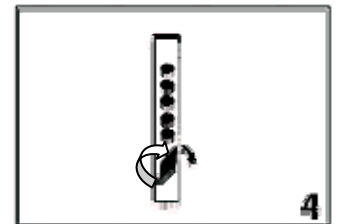
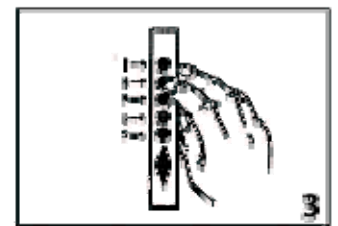
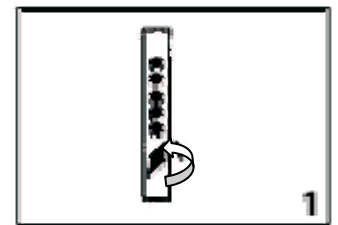
The door must be open.

1. Turn the control knob to the left (counter clockwise) to the stop position and release (*see figure 1*). This clears the lock of previously used buttons.
2. Enter the existing combination. Make sure you depress each button fully and release.
3. Push down the combination change slide on the backside of the lock. Located at the end opposite control knob (*see figure 2*).
4. Turn the control knob to the left (counter clockwise) to the stop position and release (*see figure 1*). This clears the old combination.
5. Select a new combination, write it down. Some or all of the buttons may be used for your new combination - pressed individually or simultaneously.

Each button may be used only once. We do not recommend the use of a one-button combination.

6. Enter your new combination. Depress each button fully and release it. You must feel a click each time you press a button to know that the button was fully depressed (*see figure 3*).
7. Turn the control knob to the right (clockwise) to the stop position and release to activate the new combination (*see figure 4*).

8. Enter new combination and test operation.



Note:

- Do not force at any time.
- If a wrong combination is entered while operating the lock, turn the outside thumb turn to the left (counter clockwise) to the stop position and release. This will clear any previously depressed buttons. Enter in the correct combination.

Troubleshooting:

Symptom/problem: Turning outside thumb turn clockwise always retracts latch without depressing any buttons.

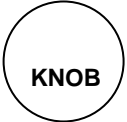
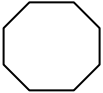
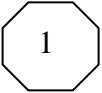
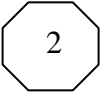
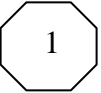
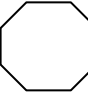
Cause: Lock is in zero combination.

Solution: Follow the procedure for setting a new combination except omit step 2.

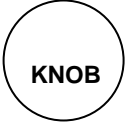
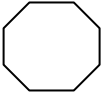
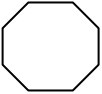
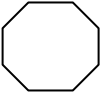
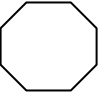
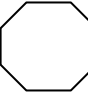
EXAMPLE:

Remember these are sequences not numbers.

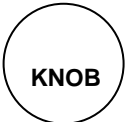
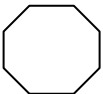
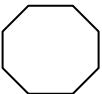
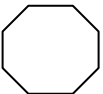
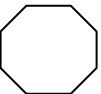
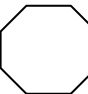
FACTORY DEFAULT CODE

					
---	---	---	---	---	---

RECORD YOUR NEW ACCESS CODE BELOW

					
--	--	--	--	--	--

RECORD YOUR NEW ACCESS CODE BELOW

					
---	---	---	---	---	---

Frequently asked Questions:

1. Is your safe fire rated?

We do not have a UL fire rating, nor does anyone making a quick access handgun safe.

2. Do your pushbutton locks have a key backup

No! Backup systems are necessary for the space shuttle. A backup key lock on a small pistol safe is designed to override an electronic lock for loss of power. However, a backup key lock jeopardizes the security of the safe. It allows anyone who finds the key entry to the safe even when the electronic lock is working. The Simplex® pushbutton mechanical lock (no batteries) has a tried and true reputation as the industry leader in pushbutton locks for over 30 years. The new knob and built in clutch also prevent forced entry. It will open for you day or night, hot or cold, every time you enter your secret code. (No code + no bypass = no entry = True Security)

3. How do I get into my safe if I have forgotten my combination?

There is no special override combination or secret manipulation of the buttons or knob that will give anyone access to your safe. **Write your combination down and keep it hidden, not inside the safe.** For access to your safe without the combination, you have four choices:

- (1) Cut it open with a torch, not recommended.
 - (2) Hire a reputable locksmith. Make sure the locksmith has knowledge of the Simplex® pushbutton lock.
 - (3) You can also try random entry of possible combinations or call us.
 - (4) If the safe is empty and not bolted down, you can arrange to have the lock reset at the factory. The warranty information packet that comes with each safe includes a toll free phone number for Kaba Access Controls, (the manufacturer of the Simplex® pushbutton lock) who will provide technical assistance.
-

4. Can I carry a loaded handgun in my car if the gun is in a safe?

In most states no. If your state has gun laws that prohibit the transportation of loaded handguns in vehicles, the use of our safe will not exempt you from those laws. In many states, like California, handguns are required to be in approved locked containers with the ammunition secured separately when transported in a vehicle. It is very important to know your local City, County, and State gun transportation laws. These laws can and do vary greatly. If you travel from state to state, a good source for current state gun laws is the National Rifle Association's web site www.nra.org.

5. Concern with the safe being childproof

Your vault was tested and approved by California Department of Justice as firearm safety device.

Some of the test requirements includes: 250-lb vault door pull test, 120 strokes hacksaw with load of 10 pounds, Lock manipulation, Drop test and Impact test.

NO SYSTEM IS 100% CHILDPROOF. FOLLOW ALL INSTRUCTIONS. MAKE SURE THE SAFE IS ALWAYS CLOSED SECURELY AND LOCKED. NEVER GIVE THE COMBINATION TO A CHILD OR LEAVE IT WHERE A CHILD CAN FIND IT. NEVER GIVE THE COMBINATION TO A THIRD PERSON WHO MIGHT GIVE IT TO A CHILD. DO NOT LET A CHILD WATCH YOU ENTER THE COMBINATION. CHANGE THE COMBINATION PERIODICALLY.

6. What about moisture getting inside my safe?

This device is for indoor use, the black powder coat finish is weather and moisture resistant.

7. Can I weld on my safe?

No, welding will void your warranty; it weakens the heat treated steel.

8. Can I drill holes in the safe if the factory holes will not work for my application?

No, the two universal mounting brackets will allow you to install Titan Gun Vault in every conceivable application. Just follow our installation instructions.

9. Where is the best location for my safe?

Close at hand. Think convenience and accessibility. Think stealth, a well-hidden safe adds to its security. Who is going to use the safe is important when deciding on a location. Time of day may be a factor as well as the days of the week. Are you alone during the weekends? Is your home full of people on the weekends? Many people have found that two locations will give better security in large spread out homes and homes with more than one level (two stories). Two guns in separate locations are better than two guns in the same safe, when defending yourself and family. Remember you are the only one that can gain access to your safe(s). The intruder cannot gain access to the handgun at your location.

A. Entry areas where you first come into your home, a garage, the front door

entryway, back and side entries to mudroom, are all common places. Ask yourself these questions. Will you be bringing a handgun home with you and want to lock it up as soon as you enter your home? Will you want access to your handgun when you first come home? (Did someone follow you home? Is there already someone uninvited in your home when you arrive?)

Your main concern should be for the safety of the members of your household. Your handgun should be in your possession or locked up. There is no in between!

B. Home Office Areas, especially if you work late at night.

C. Dens, family, and grand rooms can be good and bad locations for your safe. You may spend most of your waking hours in these central areas but so do your family and friends.

D. Master Bedroom is by far the most popular and practical room for the storage and quick access to a handgun. The master bedroom is a secure room; it is usually off limits to other members of the family unless invited.

It has a phone to call for help. The universal bed mount will allow you to place your safe on your bed frame where you can reach while you are laying down.

Securely mounting your safe and hiding its location is highly recommended.

10. What is a good combination to set my safes lock to?

Changing your safe combination from the factory setting is highly recommended. **Always write down a new setting**, and do not lock your instructions inside the safe. You can choose from one to five buttons every button can be pushed once, multiple buttons can be pushed together. We do not recommend setting combination less than three buttons.

11. What happens if my safe is attacked, can I still get in?

Titan Gun Vault is designed to withstand attacks by hammers, screwdrivers, pry bars, drills, kicking, picking devices and being run over by a truck. It takes industrial type steel cutting tools or an acetylene torch to cut open our safe. If your safe is attacked and the knob, buttons and faceplate are damaged; you can still gain access with little problem. Instructions on how to gain access to your safe after it has been attacked will come with your safe. With proper warranty identification, we can help you over the phone. **You still must know your combination to gain entry.**

12. Is it all right to leave my gun loaded inside the safe?

This is your personal decision one that comes with responsibility as gun owner. For safety purposes, we recommend that your gun not be loaded. If you are not sure on how to keep your gun, ready and safe for you to handle, ask someone with experience. We recommend training and practice with your handgun.

13. How may gun can I place in my safe?

One handgun and it is our philosophy that it takes one reliable weapon to defend you against an intruder. However, for increase security install Titan Gun Vault in various locations, ready for quick and immediate access. Do not store other items with your weapon as it hinders its operation.

17. Do the buttons light up at night?

No, the buttons do not light up. They are raised and spaced to make their operation in the dark or without visual contact very easy. After 2 or 3 times of practice, you will be surprised how fast you can open it without eye contact. In less than 3 seconds you will be ready and armed.

18. Should I bolt my safe down to something?

Most people do, we highly recommend it. The safe standing unattached will keep children out and deny access to your handgun at your location. Do not lose your property to a punk burglar! Consider the replacement cost of your gun and the laws that govern handguns and your responsibility. We have provided two mounting brackets for your vault to be secured to a permanent location.

19. How will your safe stand up against extreme temperatures?

The Simplex® pushbutton lock used in our safes is mechanical. It does not use batteries that are affected by extreme temperatures. Electronic locks that rely on batteries do have problems with extreme heat and cold. Battery life needs to be closely monitored when exposed to high and low temperatures.

20. Do you make a safe for shotguns and rifles?

Not at the present time, it will be included in our future product lines.

21. Do you have a safe that will fit under the front seat of my car?

Yes, Model # AS-2020-02, fits under the seats of many cars and trucks. You can use one of the two universal mounts for this type of installation. In most cases, it is not necessary to remove the seat in order to mount the safe. "See question No. 4, above"

22. Can I mount my safe upside down?

Yes. Our safe is designed to with specific operating features and locations in mind; they are also designed to operate upside down, on their sides and standing on end. Our safes' versatility in mounting is a very strong feature for your mounting options.

Warranty:

We warrant that all products manufactured and sold by us are free from defects in material and workmanship and those products of our design are fit for the purpose intended by us when properly installed and used. Your new safe is a high quality product which will give you years of service and backup by Kaba Access Controls for Simplex® pushbutton mechanical lock and has one-year manufacturer warranty; as well as one-year warranty on workmanship and materials of safe.

YOUR PRODUCT WARRANTY DOES NOT COVER "FORGOTTEN ACCESS CODE" OR DAMAGE CAUSED BY MISUSE OF THIS PRODUCT.

Our contact information:

By Mail: Titan Security Products Inc.
142 E, Bonita Ave, Unit #168, San Dimas, CA. 91773
By Phone: (800) 930-6430
By e-mail: enquiries@titangunvault.com
Website: TitanGunVault.Com

Copyright © 2006-2007; all rights reserved.